

Follow these steps for the proper installation of IBS 2000[®] Load Sharing Connectors.

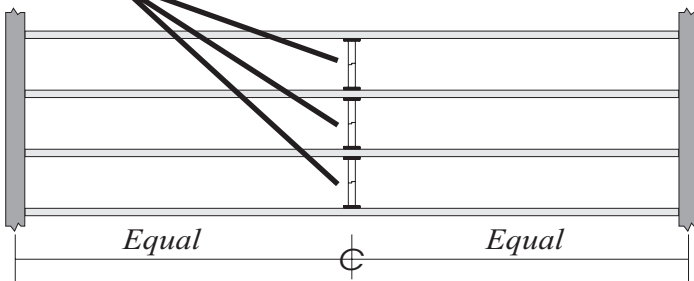
IBS 2000[®] MUST BE INSTALLED BEFORE SUBFLOOR IS ATTACHED TO JOISTS



1. Laying Out IBS 2000[®] in the Floor

- Install IBS 2000[®] prior to subfloor installation

ATTENTIDIZ STRAIGHT ROW OF IBS 2000[®] DO NOT STAGGER



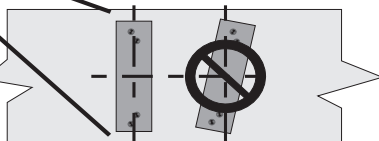
- 2 Rows are placed at the 1/3 points
- 3 Rows are placed at the 1/4 points
- Twin Rows are placed 12" either side of mid-span

2. Positioning Unit on the Joist

ATTENTIDIZ EQUAL GAP ON TOP AND BOTTOM

Vertical Placement

Center IBS 2000[®] on the joist

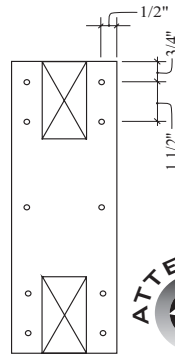


Elevation View

3. Fasteners Required

Minimum 2 1/4" (7d) common nails. Equivalent length wood screws or spiral/ring shanked nails may also be used.

4. Fastener Placement

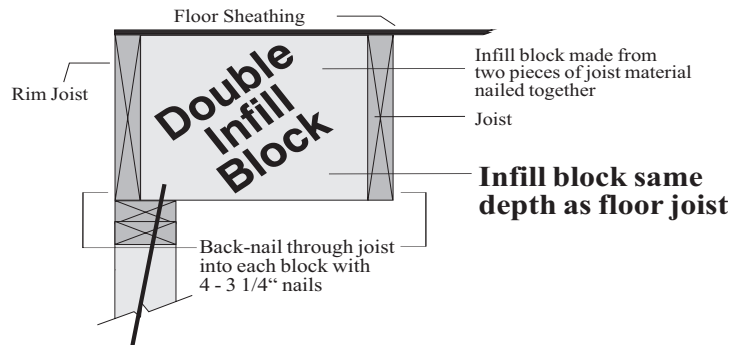


Nail IBS 2000[®] unit to each joist with **10 - 2 1/4" common nails**. 5 nails per side, 10 nails per end or 20 nails per IBS 2000[®] unit. Equivalent length wood screws or spiral/ring shanked nails may also be used.

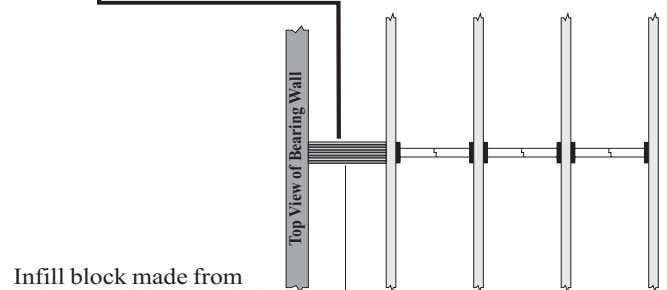
ATTENTIDIZ DO NOT OVERDRIVE NAILS. HOLD UNIT TIGHT TO JOIST WHEN NAILING.

5. Dealing with Endwall Conditions

Perpendicular Infill Block



ATTENTIDIZ MAKE SURE THERE IS A DOUBLE BLOCK, DO NOT USE A SINGLE PIECE



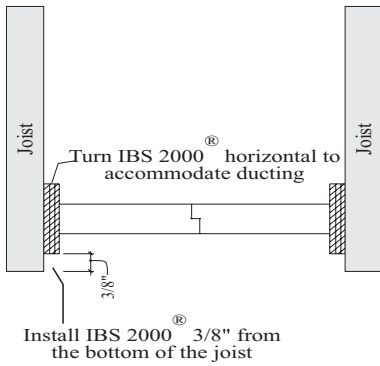
Infill block made from 2 pieces of joist material nailed together—

NOTE:

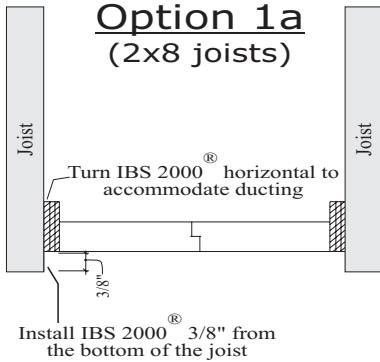
- The width of the perpendicular infill block must be a minimum of 3"
- The block is secured at each end with 8-3 1/4" common nails or equivalent wood screws, spiral or ring shanked nails

6. Dealing with Ductwork and Odd Sized Spaces

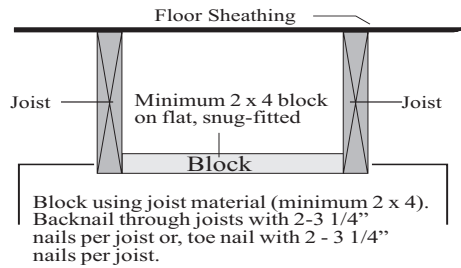
Option 1



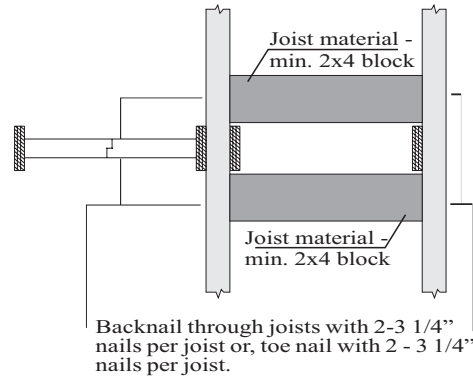
Option 1a (2x8 joists)



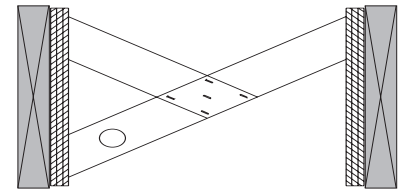
Option 2



Option 2a



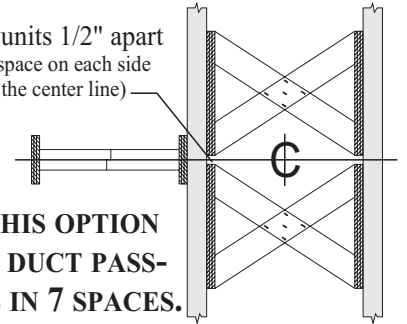
Option 3



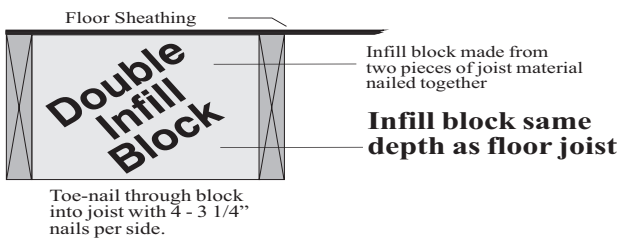
Any one of the four legs may be removed to suit the needs of the mechanical contractor. Also, one leg may be drilled a maximum of 1" in diameter.

Option 4

Place units 1/2" apart (1/4" space on each side of the center line)



Option 5: Odd Size Space



NOTES:

- 1) For *one* duct passage in seven spaces use **Options 1, 2 or 3.**
- 2) For *two* duct passages in seven spaces use **Option 4.**
- 3) For *three or more* duct passages in seven spaces **call Luxor Industrial.**
- 4) For *odd-size* spacing use **Options 2a or 5.**



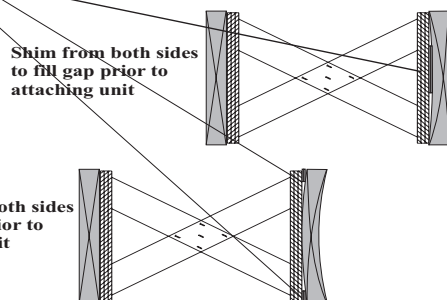
NEVER LEAVE THE

SPACE EMPTY. ALWAYS PUT IN A MINIMUM 2 X 4 BLOCK.

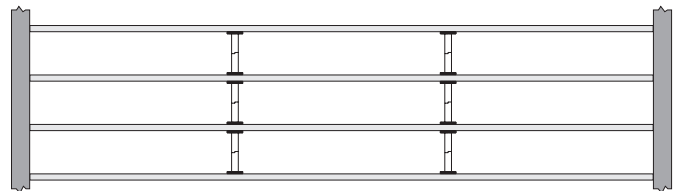
7. Dealing with Gaps



MAKE SURE THERE ARE NO GAPS



8. Strapping/Drywall Equivalent



Minimum 1 x 4 strapping placed directly under each row of IBS 2000[®]. Strapping to be nailed to each joist with a minimum of 2 - 2 1/4" common nails or equivalent length wood screws or spiral/ring shanked nails.